



Jash also brings to you a wide range of products in cast iron, stainless steel, aluminum, HDPE, composite and steel construction so as to meet most of the flow control applications.

For more information about our products or to contact a sales representative, visit the Jash website [www.jashindia.com](http://www.jashindia.com) or call at our office.



## WATER & SEWAGE CONTROL EQUIPMENT



CAST IRON SLIDE GATE



STAINLESS STEEL SLIDE GATE



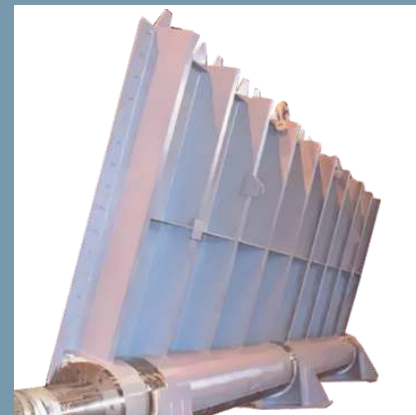
ROLLER GATE



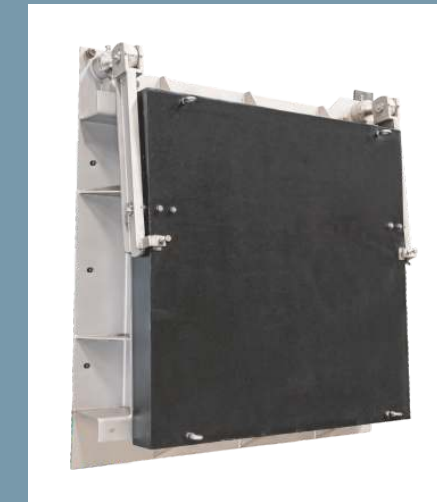
COMPOSITE SLIDE GATE



BUTTERFLY GATE



CREST GATE



**JASH ENGINEERING LTD.**

31, Sector 'C', Industrial Area, Sanwer Road,  
Indore-452 015. (M.P.), INDIA  
Ph.: +91-731-6732700, 2720143, 2721143  
E-mail: [info@jashindia.com](mailto:info@jashindia.com)  
Website: [www.jashindia.com](http://www.jashindia.com)

**SUBSIDIARIES:**

- Jash USA Inc., USA
- Rodney Hunt Inc., USA
- Mahr Maschinenbau GmbH, Austria
- Shivpad Engineers Pvt Ltd., India
- Engineering & Manufacturing Jash Ltd., Hongkong

ankit 1218

## FLAP GATES

Backflow Prevention in Free Discharge Application



**THE BIGGEST CAST IRON GATES MANUFACTURERS OF THE WORLD**

**FLAP GATES & FEATURES**



**ENGINEERING EXCELLENCE AND EXPERIENCE**

Since 1948, the engineering team at Jash has pioneered safe and reliable flow control systems in thousands of installations in India and around the world. In 2016, Jash acquired Rodney Hunt, a company with 177 years experience in manufacturing of flow control products and having a leadership position in North America. Together, we bring more than 250 years of experience in designing customized solutions to meet the needs of the most challenging applications worldwide.

**SUPERIOR QUALITY**

We bring exceptional quality to every project using application based solutions, proven designs, manufacturing flexibility & rigorous testing procedures. We offer one of the most flexible and comprehensive cast, metal fabrication, machining, assembly & testing operations at our inhouse facilities in India (ISO 9001:2015, ISO 14001:2015 & BS OHSAS 18001:2007 Certified) and USA. This allows us to monitor and ensure quality in all aspects of production & to provide consistent reliable & superior products.

**COMPREHENSIVE PRODUCT OFFERING**

Our product offering is unrivalled in the flow control marketplace. From all types and sizes of cast and fabricated gates, in a wide variety of material options encompassing metals and plastics, to custom valve and actuation options, we bring a total solution to every project. The breadth of our product offering enables us to bring an unequalled impressive range of expertise to your planning and decision making process.

**RESPONSIVE SERVICE**

We pride ourselves on providing professional responsiveness to your needs throughout the design, manufacturing and installation processes. Our engineering team is available for consultation during all phases of your project. Dedicated project managers serve as a single point of contact once the order is in-house & our knowledgeable field service team is always ready to provide on-site support.



Two 1500 mm Diameter Flap Gates help protect a North Dakota watershed from forward and reverse surges.

**BACKFLOW PREVENTION IN FREE DISCHARGE APPLICATIONS:**

Jash flap gates (or flap valves) are designed as an efficient backflow prevention solution in most free discharge application. These are often used for automatic drainage from outfall structures to rivers, estuaries and sea & for preventing reverse flow during flood / tide from rivers, estuaries and sea to the plant.

These are gravity operated and need minimal water pressure for operation. The flap opens when the head in the pipe or conduit exceeds 50 mm above the head in the receiving body of water. The flap closes when the head in the receiving body of water exceeds the head in the pipe or conduit. When fully open the flap gate / valve offers a very low head-loss.

*Jash offers flap gates / valves with many different options and features as shown hereunder to suit specific applications:*

**OPENING AND SIZE OPTIONS:**

Round, square and rectangular shaped opening as per client's requirement in a wide range of sizes starting from 100 mm to 3500 mm and greater.

**MATERIAL OPTIONS:**

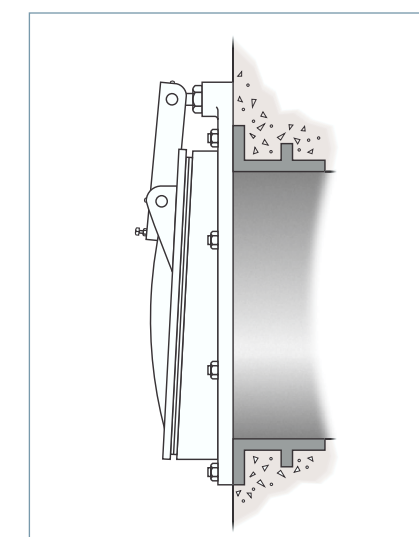
Cast Iron / Cast Ductile Iron / Alloy Cast Iron / Fabricated Stainless Steel / Aluminum, HDPE or Composite construction depending upon application, head and fluid condition.

**MULTI-FLAP / DOOR OPTION:**

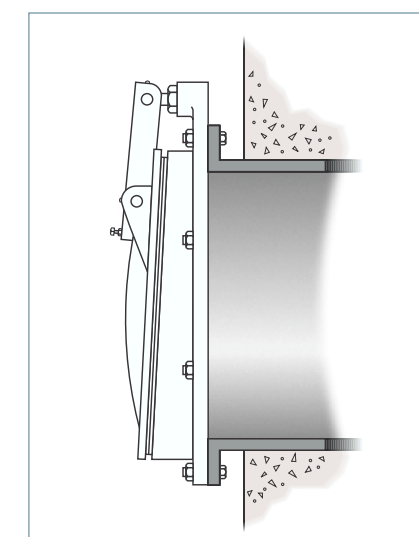
Multiple doors to cover the opening in large sized flap gates, when specified.

**MOUNTING OPTIONS:**

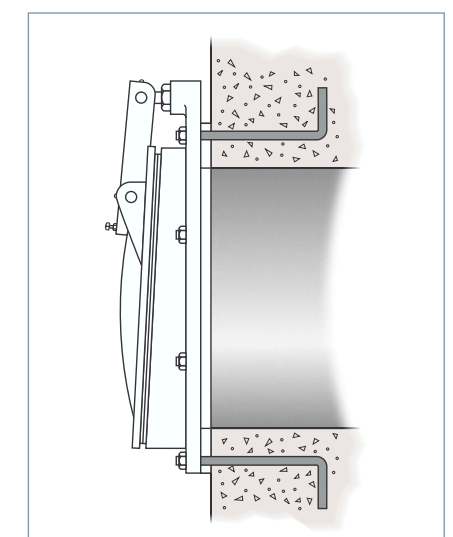
Various mounting options available such as Wall thimble mounted / Pipe flange mounted / Wall mounted as shown below.



Wall Thimble Mounted



Pipe Flange Mounted



Wall Mounted

## FLAP GATES & FEATURES



### SEALING OPTIONS:

Depending upon material of construction of flap gate, varied sealing options as shown below are offered for achieving low leakage in valve closed condition.



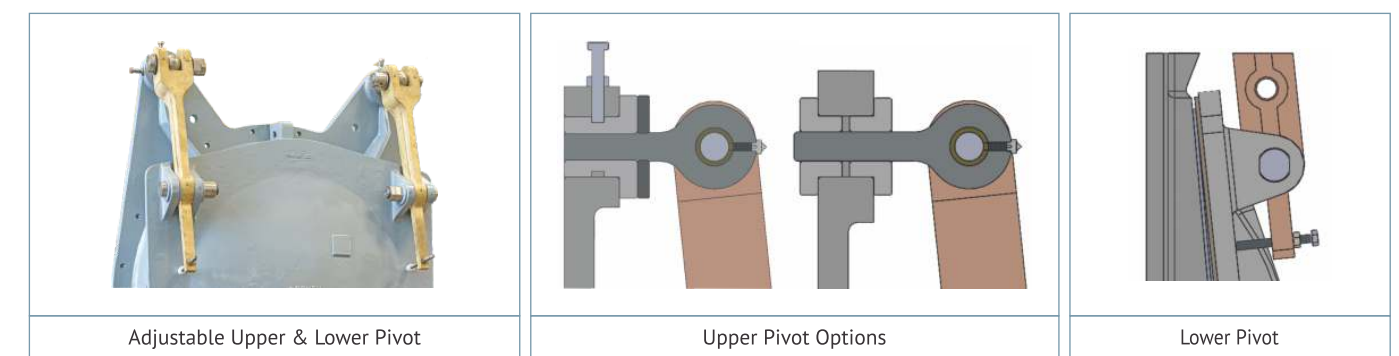
### HINGE OPTIONS:

Depending upon requirement and size single or double hinged design is offered. Both single hinged or double hinged designs can be provided with double pivot to increase sensitivity.



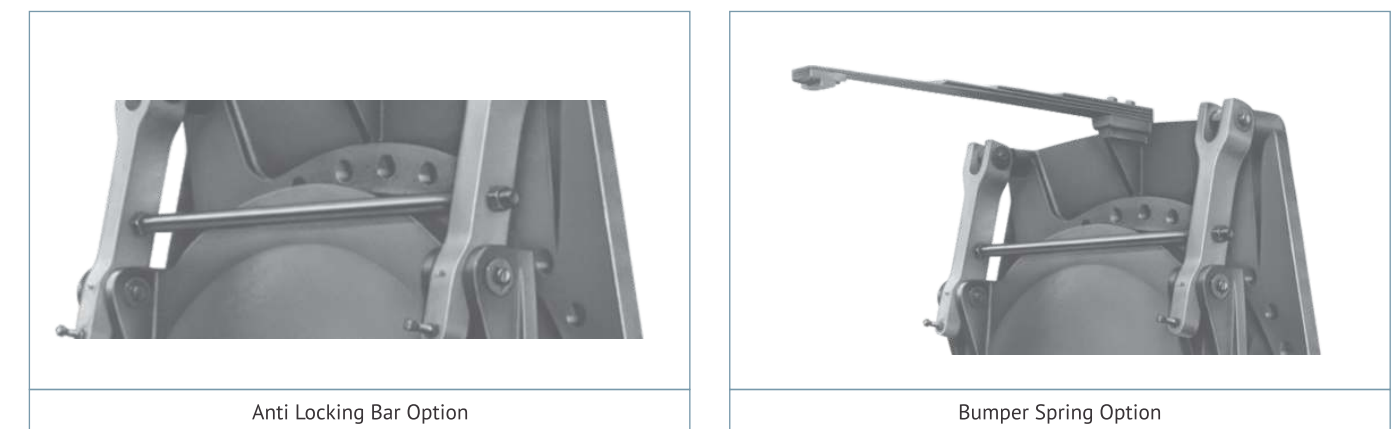
### ADJUSTABLE UPPER AND LOWER PIVOT OPTIONS:

Adjustable upper pivot is provided to adjust the flap gates sensitivity to unseating head. The lower pivot is provided to allow for a controlled amount of cover rotation to ensure that cover seat and body seat lie in the same plane. Adjustable upper pivot & lower pivot are provided generally in large sized flap gates.



### ANTI LOCKING BAR & BUMPER SPRING OPTION:

- Anti-locking bar and bumper spring options are used in pump discharges application.
- Anti-locking bar is provided to prevent flap / cover overturn damage, when specified.
- Bumper is given in case of pump discharge application, to prevent flap from traveling over 90° and hitting the wall.



Jash has the capability to design and manufacture flap gates for varied applications as requested by client and incorporate custom features to suit the application. Jash offers the widest range of flap gates in the industry as show cased in the subsequent pages.

CAST IRON FLAP GATES

SERIES: A - 601

DRAWING AND DATASHEET



SINGLE HINGED - DOUBLE PIVOT



**FEATURES:**

- Frame / body suitable for directly mounting on face of the wall using anchor fasteners and secondary grout between wall and frame / body or on wall thimble or on pipe flange.
- Single piece flap cover to withstand applicable head.
- Resilient seal to absorb closing shocks.
- Resilient seal mounted in machined groove on frame / body and in contact with mating face of flap cover.
- Double pivot design for all sizes of flap gate.
- Single hinge design upto flap gate size 250 mm & double hinge design above 250 mm.
- Tamper proof locking arrangement for hinge pin.

**OPTIONAL FEATURES:**

- Wall thimble mounting.
- Mounting flange drilling pattern to match PN10 as required.
- Mating face of flap cover provided with non corrosive seat to match resilient seal on frame / body.
- Metallic sealing arrangement comprising of non ferrous seats mounted on frame / body in contact with matching non ferrous seat mounted on flap cover.

**MATERIAL OF CONSTRUCTION:**

Frame / Body	Cast Iron ASTM A126 Class B
Flap Cover	Cast Iron ASTM A126 Class B
Frame / Body Seat Facing	Neoprene ASTM D-2000 or Bronze B21 - C464
Flap Cover Seat Facing	Cast Iron ASTM A126 Class B or Bronze B21 C464
Hinges	Stainless Steel 304
Fasteners	Stainless Steel 304 / 316

Above material can also be offered in BS / IS standards.

**SHOP TESTING:**

Seat clearance check of each flap gate for checking clearance between mating sealing face.

**SPECIFICATION:**

These flap gates are made as per Jash design.

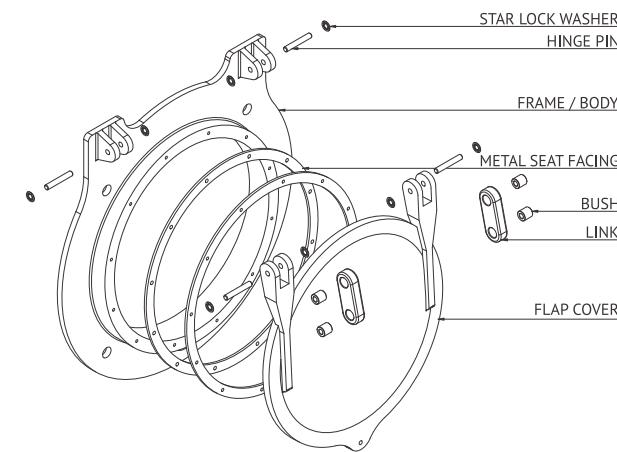
**APPLICATION:**

These flap gates are suitable for back flow prevention applications and suitable for seating head up to 6 m.

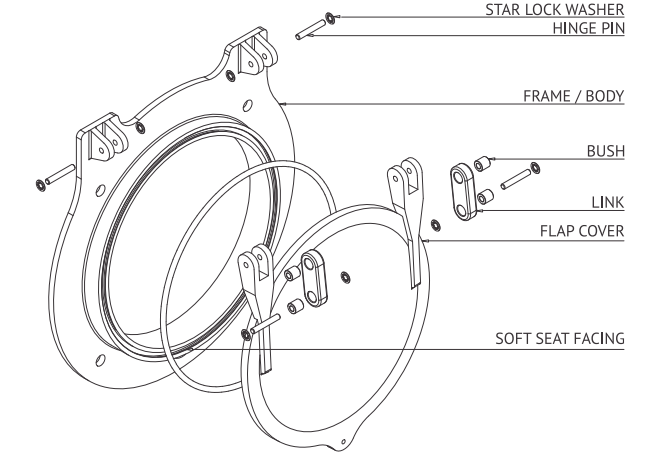
**SIZE RANGE:**

- From 100 mm to 750 mm.

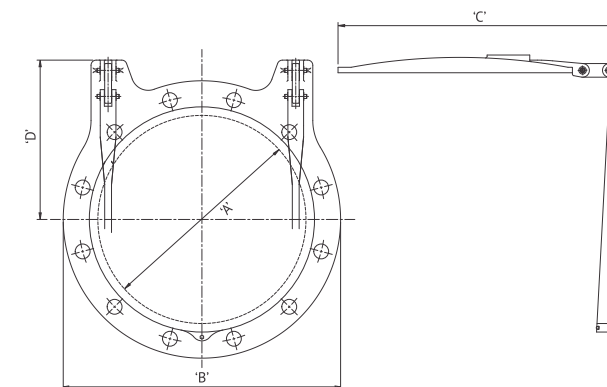
DOUBLE HINGED - DOUBLE PIVOT



EXPLODED VIEW - METAL SEATED



EXPLODED VIEW - SOFT SEATED



FLAP GATE DIMENSIONS (IN MM)			
Flap Gate Size - A	B	C	D
100	230	265	150
150	280	315	185
200	345	365	210
250	405	415	250
300	485	465	280
350	535	520	310
400	595	570	330
450	635	620	350
500	700	670	370
600	815	770	465
750	985	925	595

CAST IRON FLAP GATES

SERIES: A - 602 (FV - AC & FV - ACP)

DRAWING AND DATASHEET



DOUBLE HINGED - DOUBLE PIVOT FLAP GATE



- Double pivot design for all sizes of flap gate.
- Adjustable upper and lower pivot to adjust sensitivity to unseating head.
- Rigidly designed hinge arms/ brackets.
- Adjustable hinge bolts of toughened steel to reduce / increase sensitivity of flap cover operation.
- Replaceable hinge pins and hinge bushes.

**ADDITIONAL FEATURES FOR FV-ACP DESIGN TO BE USED FOR PUMP DISCHARGE APPLICATION:**

- Anti-locking bar to prevent flap overturn damage.
- Spring bumper to limit disc travel to 90 degrees.

**OPTIONAL FEATURES:**

- Wall thimble mounting.
- Mounting flange drilling pattern to match PN10 as required.
- Mating face of flap cover provided with non corrosive seat to match resilient seal on frame / body.
- Metallic sealing arrangement comprising of non ferrous seats mounted on frame / body in contact with matching non ferrous seat mounted on flap cover.

**MATERIAL OF CONSTRUCTION:**

Frame / Body	Cast Iron ASTM A126 Class B
Flap Cover	Cast Iron ASTM A126 Class B
Frame / Body Seat Facing	Neoprene ASTM D-2000 or Bronze B21 – C464
Flap Cover Seat Facing	Neoprene ASTM D-2000 or Cast Iron ASTM A126 Class B or Bronze B21 – C464
Hinge Arm	Ductile Iron ASTM A536 65-45-12 / Bronze B98 – C655
Hinge Bolt	Toughened Steel
Anti-Locking Bar	Steel
Bumper Spring	Heat Treated Spring Steel A 689
Fasteners	Stainless Steel 304 / 316

Above material can also be offered in BS / IS standards.

**SHOP TESTING:**

Seat clearance check of each flap gate for checking clearance between mating sealing face.

**SPECIFICATION:**

These flap gates are made as per Jash design.

**APPLICATION:**

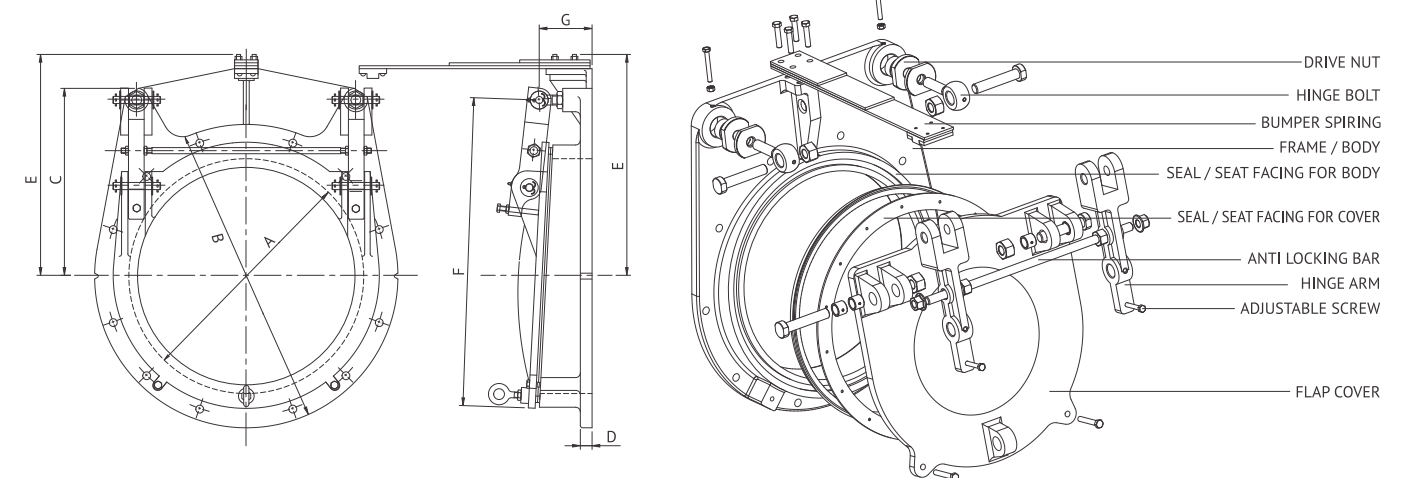
These flap gates are suitable for back flow prevention applications and suitable for high seating head condition as per requirement.

**SIZE RANGE:**

- From 300 mm to 2700 mm for FV-AC design.
- From 300 mm to 1500 mm for FV-ACP design.
- Higher sizes can be offered on request.

**FEATURES:**

- Frame / body suitable for directly mounting on face of the wall using anchor fasteners and secondary grout between wall and frame / body or on wall thimble or on pipe flange.
- Single piece flap cover to withstand high seating head.
- Sensitive to low unseating head – opens at 50 mm.
- Resilient seal to absorb closing shocks.
- Resilient sealing arrangement comprising of resilient seal mounted in machined groove on frame / body and in contact with mating face of flap cover.



FLAP GATE DIMENSIONS (IN MM)						
Flap Gate Size - A	B	C	D	E	F	G
300	485	250	25	345	415	75
350	535	305	30	395	495	85
400	600	325	30	435	540	85
450	635	370	30	475	610	90
500	700	410	30	455	420	125
600	815	495	35	580	805	140
750	985	610	40	725	1005	150
900	1170	725	40	830	1195	165
1050	1345	840	45	925	1385	180
1200	1510	965	50	1055	1575	190
1350	1685	1080	55	1185	1765	215
1500	1855	1195	55	1320	1960	215
1650	2005	1310	55	1410	2165	215
1800	2195	1375	65	--	2355	215
1950	2365	1535	65	--	2555	215
2100	2535	1655	65	--	2745	240
2400	2875	1890	70	--	3125	240
2750	3265	2120	75	--	3505	275

CAST IRON FLAP GATES

SERIES: A - 603 (FV - AR)

DRAWING AND DATASHEET



DOUBLE HINGED - DOUBLE PIVOT FLAP GATE



- Resilient seal to absorb closing shocks.
- Resilient sealing arrangement comprise of resilient seal mounted on frame / body and in contact with mating face of flap cover.
- Double pivot design for all sizes of flap gate.
- Adjustable upper and lower pivot to adjust sensitivity to unseating head.
- Rigidly designed hinge arms/brackets.
- Adjustable hinge bolts of toughened steel to reduce / increase sensitivity of flap cover operation.
- Replaceable hinge pins and hinge bushes.

OPTIONAL FEATURES:

- Wall thimble mounting.
- Mating face of flap cover provided with non corrosive seat to match resilient seal on frame / body.
- Metallic sealing arrangement comprising of non ferrous seats mounted on frame / body in contact with matching non ferrous seat mounted on flap cover.
- Multiple flap covers to cover the opening in large sized flap gates, when specified.

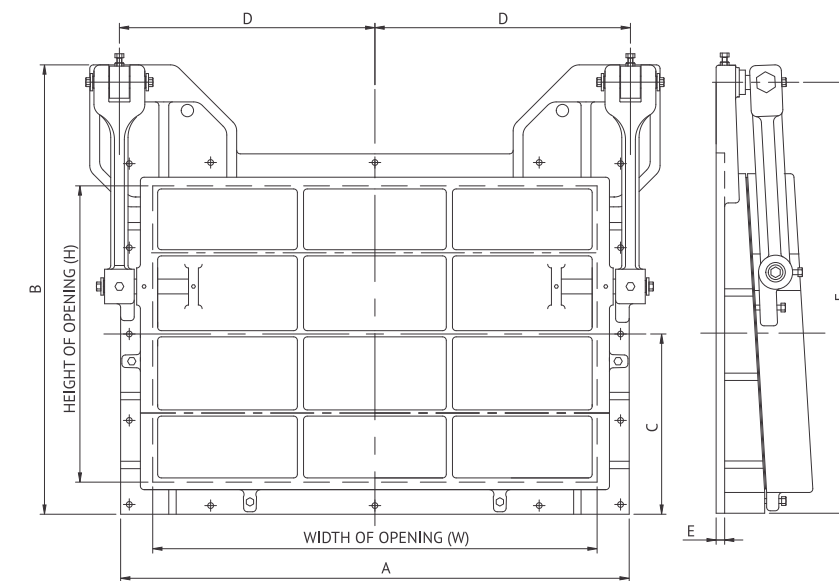
MATERIAL OF CONSTRUCTION:

Frame / Body	Cast Iron ASTM A126 Class B
Flap Cover	Cast Iron ASTM A126 Class B
Frame / Body Seat Facing	Neoprene ASTM D-2000 or Bronze B21 – C464
Flap Cover Seat Facing	Neoprene ASTM D-2000 or Cast Iron ASTM A126 Class B or Bronze B21 – C464
Hinge Arm	Ductile Iron ASTM AS 36 65-45-12 Bronze B98 – C655
Hinge Bolt	Toughened Steel
Fasteners	Stainless Steel 304 / 316

Above material can also be offered in BS / IS standards.

SHOP TESTING:

Seat clearance check of each flap gate for checking clearance between mating sealing face.



FLAP GATE DIMENSIONS (IN MM)

WIDTH (W)	HEIGHT (H)	A	B	C	D	E	F
300	300	485	490	240	195	25	475
450	450	635	685	320	280	30	620
600	600	815	900	405	370	35	830
750	750	915	1090	485	460	40	1030
900	600	1145	915	470	535	40	830
900	900	1145	1295	570	540	40	1195
900	1200	1145	1695	730	540	50	1575
900	1350	1170	1840	815	545	55	1765
1050	1050	1310	1490	655	615	45	1385
1200	450	1420	710	330	680	40	620
1200	600	1420	900	405	680	40	830
1200	750	1420	1090	485	685	40	1030
1200	900	1420	1295	570	685	40	1195
1200	1200	1460	1695	730	700	50	1575
1200	1500	1460	2075	885	700	55	1975
1350	1350	1625	1890	815	775	55	1765
1500	900	1765	1310	580	845	45	1195
1500	1200	1765	1695	730	845	55	1575
1500	1500	1765	2075	885	850	55	1975
1500	1800	1765	2425	1055	850	55	2380
1800	1200	2070	1645	730	1005	55	1575
1800	1500	2110	2095	900	1005	55	1975
1800	1800	2110	2425	1055	1020	65	2380
2100	2100	2415	2860	1210	1180	70	2735
2400	2400	2720	3160	1360	1335	70	3120
2750	2750	3050	3505	1525	1485	70	3430

SPECIFICATION:

These flap gates are made as per Jash design.

APPLICATION:

These flap gates are suitable for back flow prevention applications and suitable for high seating head condition as per requirement.

SIZE RANGE:

- From 300 mm to 2700 mm.
- Higher sizes can be offered on request.

FEATURES:

- Square / Rectangular flange back frame / body for directly mounting on face of wall using anchor fasteners and secondary grout between wall & frame / body or to wall thimble.
- Single piece flap cover to withstand high seating head.
- Sensitive to low unseating head – opens at 50 mm.

FABRICATED FLAP GATES

SERIES: A - 611 & A - 612

DRAWING AND DATASHEET



SERIES: A - 611



SERIES: A - 612



- **A-612:** Square / Rectangular flange back frame / body for mounting on face of wall using anchor fasteners and secondary grout between wall and frame/body or to wall thimble.

**FEATURES:**

- Single piece flap cover to withstand applicable head.
- Resilient seal to absorb closing shocks.
- Resilient sealing arrangement comprise of resilient seal mounted on outer peripheral edge of frame/body and in contact with mating face of flap cover.
- Single or double pivot design depending upon size, sensitivity require per the application.
- Single hinge design upto flap gate size 250 mm & double hinge design above 250 mm.
- Sizes 750 mm and above provided with rigidly designed hinge arms / brackets having provision for adjustment of the flap gate sensibility to unseating head.
- Replaceable hinge pins and self lubricating hinge bushings.

**OPTIONAL FEATURES:**

- Wall thimble mounting.
- Mounting flange drilling pattern to match PN10 as required.
- Material can be offer in Aluminum.

**MATERIAL OF CONSTRUCTION:**

Frame / Body	Stainless Steel ASTM A240-304L/316L
Flap Cover	Stainless Steel ASTM A276-304L / 316L
Hinge Arm	Stainless Steel ASTM A276-304L / 316L
Seals	Neoprene ASTM D-2000
Hinge Bushing	UHMWPE ASTM D-4020
Hinge Bolt	Toughened Steel
Fasteners	Stainless Steel 304 / 316

Higher grade of stainless steel can be offered on request.  
Above material can also be offered in BS / IS standards.

**SHOP TESTING:**

Seat clearance check of each flap gate for checking clearance between mating sealing face.

**SPECIFICATION:**

These flap gates are made as per Jash design.

**APPLICATION:**

These flap gates are suitable for back flow prevention applications & suitable for high seating head condition as per requirement.

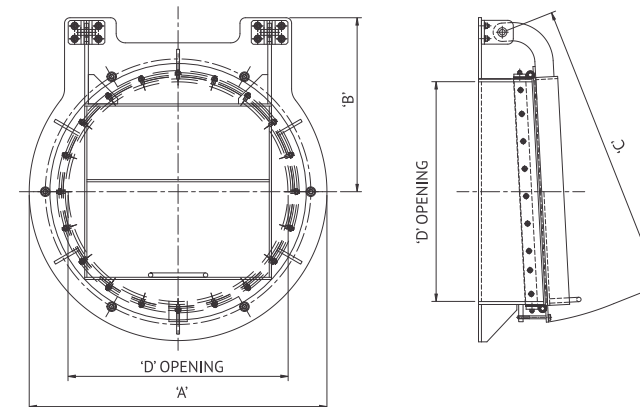
**SIZE RANGE:**

- From 300 mm to 2700 mm.
- Higher sizes can be offered on request.

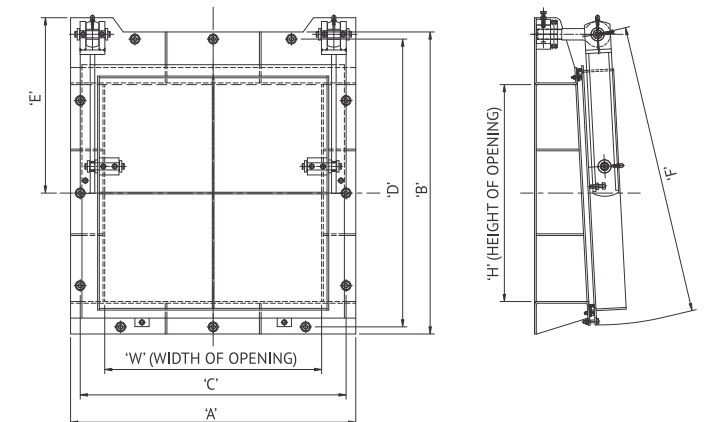
**SERIES:**

- **A-611:** Round flange back frame/body for directly mounting on face of wall using anchor fasteners and secondary grout between wall and frame/body or on the wall thimble or on the pipe flange.

SERIES: A - 611



SERIES: A - 612



FLAP GATE DIMENSIONS (IN MM)					
D	A			B	C
	CW, WT	CWX-RCP	CWX		
150	280	-	430	190	205
200	345	630	485	215	290
250	405	680	535	240	340
300	510	675	590	290	380
350	585	750	670	330	455
450	660	840	750	370	580
525	735	925	905	405	620
600	815	1005	915	470	690
750	985	1205	1065	635	1030
900	1170	1410	1230	760	1175
1050	1345	1590	1385	865	1325
1200	1510	1840	1595	940	1480
1350	1685	1995	1755	1040	1640
1500	1855	2170	-	1345	1715
1800	2195	2490	-	1525	1995
2100	2535	2885	-	1675	2400
2400	2690	2175	-	1855	2720

FLAP GATE DIMENSIONS (IN MM)							
W	H	A	B	C	D	E	F
300	300	510	510	455	455	-	405
400	400	610	610	560	560	-	510
450	450	660	660	610	610	-	560
500	500	735	735	685	685	-	635
600	600	815	815	760	760	-	710
750	750	965	965	915	915	535	935
800	800	1015	1015	965	965	560	985
900	900	1120	1120	1065	1065	615	1085
1000	1000	1220	1220	1170	1170	665	1185
1050	1050	1270	1270	1220	1220	690	1240
1200	1200	1420	1420	1370	1370	765	1390
1350	1350	1650	1650	1575	1575	840	1545
1500	1500	1805	1805	1725	1725	935	1710
1800	1800	2110	2110	2030	2030	1085	2015
2100	2100	2415	2415	2335	2335	1240	2320
2400	2400	2720	2720	2640	2640	1440	2720

Rectangular sizes on requests.

- CW:** Concrete Wall Mounted
- WT:** Wall Thimble Mounted
- CWX RCP:** Concrete Wall Mounted Termination of Concrete Pipe
- CWX:** Concrete Wall Mounted Termination of Pipe

HDPE FLAP GATES

SERIES: A - 641 & A - 642

DRAWING AND DATASHEET



SERIES: A - 641



SERIES: A - 642



- **A-642:** Square / Rectangular flange back frame / body for mounting on face of wall using anchor fasteners and secondary grout between wall & frame/body or to wall thimble.

**FEATURES:**

- Single piece flap cover to withstand applicable head. Door may also have stainless steel stiffening depending upon size.
- Resilient seal to absorb closing shocks.
- Resilient sealing arrangement comprise of resilient seal mounted on outer peripheral edge of frame/body and in contact with mating face of flap cover.
- Single or double pivot design depending upon size, sensitivity required and application.
- Single or double hinged with hinge sized to prevent formation of oval hole due to higher applying forces.
- Replaceable hinge pins and self lubricating hinge bushings.

**OPTIONAL FEATURES:**

- Wall thimble mounting.
- Mounting flange drilling pattern to match PN10 as required.
- Stainless Steel frame can be offered on request.

**MATERIAL OF CONSTRUCTION:**

Frame / Body	HDPE ASTM D-4020 / Stainless Steel ASTM A240-304L / 316L
Flap Cover	HDPE ASTM D-4020
Stiffners	HDPE / Stainless Steel
Hinge arm	Stainless Steel ASTM A240-304L / 316L
Seals	Neoprene ASTM D-2000
Hinge Bushing	UHMWPE ASTM D-4020
Hinge Pin & Washers	Stainless Steel 304
Fasteners	Stainless Steel 304 / 316

Above material can also be offered in BS / IS standards.

**SHOP TESTING:**

Seat clearance check of each flap gate for checking clearance between mating sealing face.

**SPECIFICATION:**

These flap gates are made as per Jash design.

**APPLICATION:**

For low cost back flow prevention applications in low head conditions. HDPE material enable light weight construction thereby offering ease in installation and also high corrosion resistance, longevity and minimum maintenance.

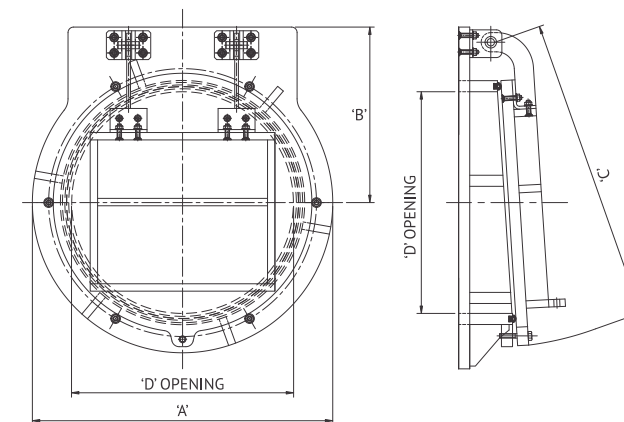
**SIZE RANGE:**

- From 300 mm to 1500 mm.
- Higher sizes can be offered on request.

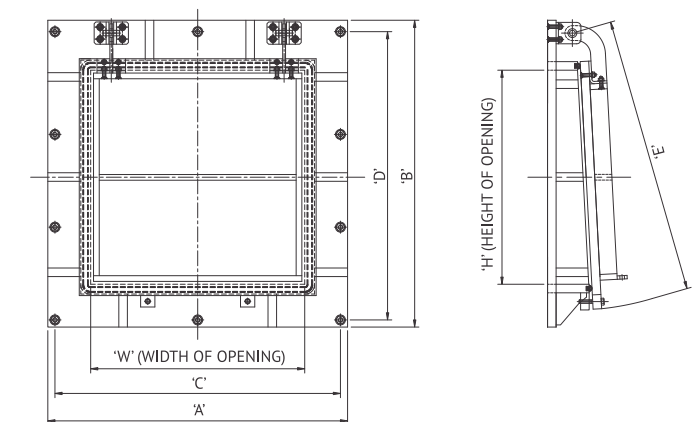
**SERIES:**

- **A-641:** Round opening flange back frame / body for directly mounting on face of wall using anchor fasteners and secondary grout between wall and frame / body or on the wall thimble or on the pipe flange.

SERIES: A - 641



SERIES: A - 642



FLAP GATE DIMENSIONS (MM)

D	A	B	C
150	405	215	330
200	455	240	380
250	510	265	430
300	560	320	485
350	635	330	610
450	710	395	685
525	785	420	760
600	865	485	840
750	1015	635	990
900	1170	760	1145
1050	1320	865	1295
1200	1475	940	1450
1350	1625	1040	1600
1500	1780	1345	1755

FLAP GATE DIMENSIONS (MM)

W	H	A	B	C	D	E
300	300	560	650	510	600	520
400	400	660	750	610	700	620
450	450	710	805	660	750	675
525	525	785	920	735	855	800
600	600	865	980	815	955	875
750	750	1015	1135	965	1085	925
800	800	1065	1210	1015	1160	1030
900	900	1170	1310	1120	1260	1130
1000	1000	1270	1415	1220	1360	1230
1050	1050	1320	1475	1270	1440	1335
1200	1200	1475	1625	1420	1575	1435
1350	1350	1625	1780	1575	1725	1640
1500	1500	1780	1930	1725	1880	1790

Rectangular sizes on requests.



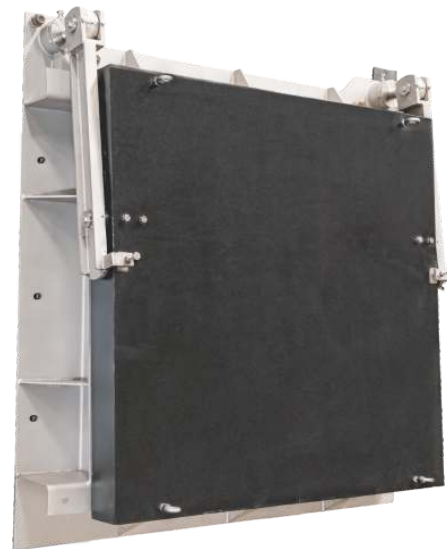
COMPOSITE FLAP GATES

SERIES: A - 652

FLEXIBLE FLAP GATES  
SERIES: A - 672



SERIES: A - 652



- Resilient sealing arrangement comprise of resilient seal mounted on outer peripheral edge of frame / body and in contact with mating face of flap cover.
- Double pivot design for all sizes of flap gate.
- Double hinged with hinge sized to prevent formation of oval hole due to higher applying forces.
- Replaceable hinge pins and self lubricating hinge bushings.

OPTIONAL FEATURES:

- Wall thimble mounting.

MATERIAL OF CONSTRUCTION:

Frame / Body	Stainless Steel ASTM A240-304L / 316L or FRP
Flap Cover	Composite FRP & Steel or FRP
Hinge Arm	Stainless Steel ASTM A240-304 / 316
Seals	Neoprene ASTM D-2000
Hinge Bushing	UHMWPE ASTM D-4020
Hinge Bolt	Toughened Steel
Fasteners	Stainless Steel 304 / 316

*Higher grade of stainless steel can be offered on request. Above material can also be offered in BS / IS standards.*

SHOP TESTING:

Seat clearance check of each flap gate for checking clearance between mating sealing face.

SPECIFICATION:

These flap gates are made as per Jash design.

APPLICATION:

Back flow prevention applications in low head conditions. Composite material enable high corrosion resistance, longevity and minimum maintenance.

SIZE RANGE:

- From 300 mm to 2700 mm.
- Higher sizes can be offered on request.

FEATURES:

- Square / Rectangular fabricated flange back frame / body for mounting on face of wall using anchor fasteners and secondary grout between wall and frame/body or to wall thimble.
- Single piece flap cover manufactured as a composite sandwich construction comprising of light weight rigid cellular core with a fully welded steel matrix covered by rigid compressed composite plastic to withstand applicable head.
- Flap cover is internally chemical bonded, sealed and free of exposed reinforcing material.
- Resilient seal to absorb closing shocks.

SERIES: A - 672



- Single piece flap cover to withstand applicable head. Door may also have stainless steel stiffening depending upon size.
- Stainless steel frame with flexible reinforced neoprene flap.

OPTIONAL FEATURES:

- Wall thimble mounting.
- Neoprene to neoprene seating for low leakage.

MATERIAL OF CONSTRUCTION:

Frame / Body	Stainless Steel ASTM 240-304L / 316L
Flap Cover	Neoprene / EPDM ASTM D-2000
Stiffeners	Stainless Steel ASTM A240-304L / 316L
Fasteners	Stainless Steel 304 / 316

*Above material can also be offered in BS / IS standards.*

SHOP TESTING:

Seat clearance check of each flap gate for checking clearance between mating sealing face.

SPECIFICATION:

These flap gates are made as per Jash design.

APPLICATION:

For low cost back flow prevention applications in low head conditions. A stainless steel frame with neoprene material enable light weight construction thereby offering ease in installation and also high corrosion resistance, longevity and minimum maintenance.

SIZE RANGE:

- From 300 mm to 1200 mm.
- For wider openings, two or more flaps can be bonded and clamped.

FEATURES:

- Square / Rectangular flange back frame / body for mounting on face of wall using anchor fasteners and secondary grout between wall and frame / body or to wall thimble.
- Opens under very low unseating head.
- Resilient seal to withstand slamming action of pump discharge and wave action.

PROJECT PHOTOGRAPHS



2400 x 1800 mm Flap Gate, Garney Washington CSO, Nashville, TN, USA



750 mm Diameter Flap Gates, 59th Ave Pump Station in Wickenburg, AZ, USA



1200 x 900 mm Flap Gate, Metro Biosolids Center, San Diego, CA, USA



1500 x 1200 mm HDPE Flap Gates, Kepala Batas, Malaysia



3000 x 2250 mm Flap Gates, Alley Creek- East River, Queens, NY, USA



2700 mm Diameter Flap Gates, Sugarland, County of Fort Bend, USA



1800 mm Diameter Flap Gates, Russell Allison Ambraw Levee, Lawrenceville, IL, USA