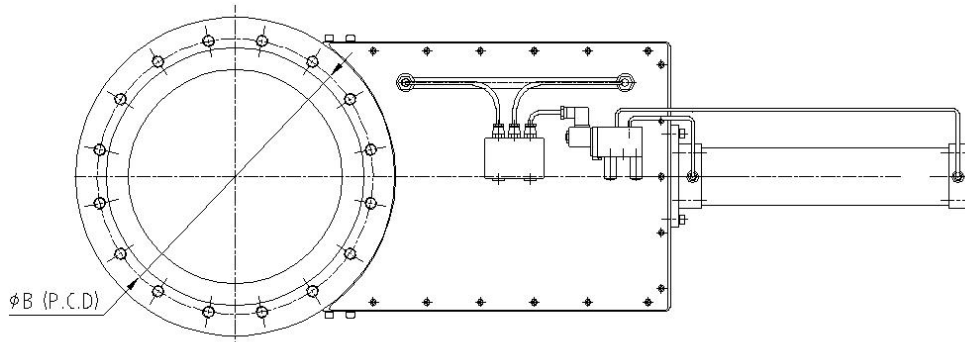
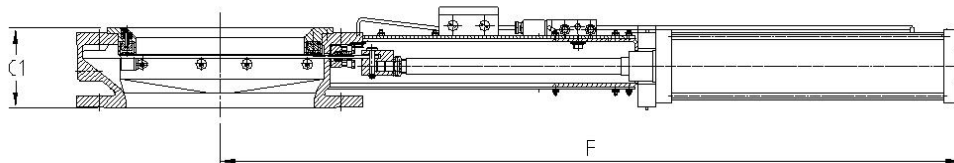
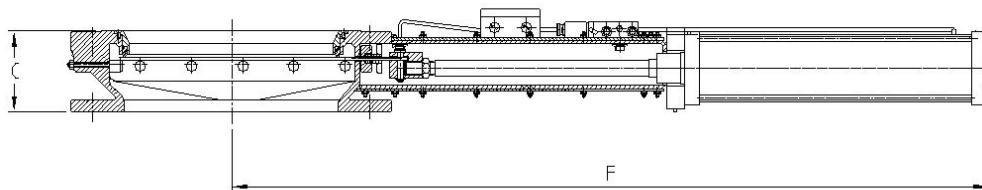
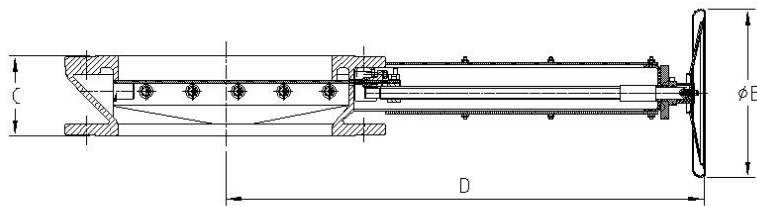


DRAWINGS

SERIES: C601, C611, C602, C612



DATASHEET

SERIES: C303, C313



DIMENSIONS IN METRIC: DN 100 – DN 600							
DN	FLANGE	B	~ C	~ D	~ E	~ F	~ C1
100	EN 1092 PN10	180	110	395	200	580	-
	ASME B16.5 #150	190.5	110	395	200	580	-
150	EN 1092 PN10	240	125	475	200	710	135
	ASME B16.5 #150	241.5	125	475	200	710	135
200	EN 1092 PN10	295	125	550	315	840	135
	ASME B16.5 #150	298.5	125	550	315	840	135
250	EN 1092 PN10	350	140	650	315	975	150
	ASME B16.5 #150	362	140	650	315	975	150
300	EN 1092 PN10	400	140	735	315	1150	150
	ASME B16.5 #150	432	140	735	315	1150	150
350	EN 1092 PN10	460	150	820	315	1290	160
	ASME B16.5 #150	476.5	150	820	315	1290	160
400	EN 1092 PN10	515	150	895	400	1415	-
	ASME B16.5 #150	540	150	895	400	1415	-
450	EN 1092 PN10	565	160	1240	400	1600	170
	ASME B16.5 #150	578	160	1240	400	1600	170
500	EN 1092 PN10	620	200	1255	635	1850	-
	ASME B16.5 #150	635	200	1255	635	1850	-
600	EN 1092 PN10	725	212	1420	635	2085	-
	ASME B16.5 #150	749.5	212	1420	635	2085	-

DIMENSIONS IN INCHES: DN 4" – DN 24"							
DN	FLANGE	B	~ C	~ D	~ E	~ F	~ C1
4	ASME B16.5 #150	7.5	4.3	15.6	7.9	22.8	-
6	ASME B16.5 #150	9.5	4.9	18.7	7.9	28.0	5.3
8	ASME B16.5 #150	11.8	4.9	21.7	12.4	33.1	5.3
10	ASME B16.5 #150	14.3	5.5	25.6	12.4	38.4	5.9
12	ASME B16.5 #150	17.0	5.5	28.9	12.4	45.3	5.9
14	ASME B16.5 #150	18.8	5.9	32.3	12.4	50.8	6.3
16	ASME B16.5 #150	21.3	5.9	35.2	15.7	55.7	-
18	ASME B16.5 #150	22.8	6.3	48.8	15.7	63.0	6.7
20	ASME B16.5 #150	25.0	7.9	49.4	25.0	72.8	-
24	ASME B16.5 #150	29.5	8.3	55.9	25.0	82.1	-

Note:

- Dimensions are approximate and subject to change. Consult manufacturer for actual drawing.